



Adjustable Nozzles

PROBLEM: Air distribution cannot be defined during design.
Changing airflows during operation is required.

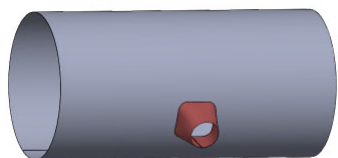
SOLUTION: Adjustable Big Nozzles

Big nozzles - basic characteristic:

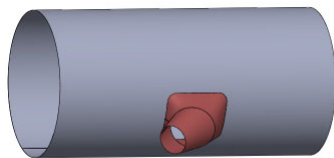
By means of big nozzles the airflow can reach the longest distances. Depending on the static pressure and temperature difference, the reach may even exceed 20 m. The nozzle can be straight, directed, or **adjustable**.



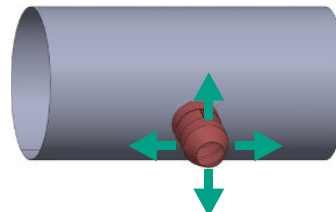
Straight nozzle



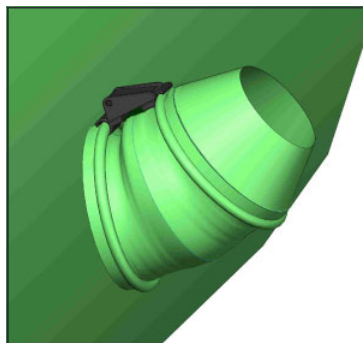
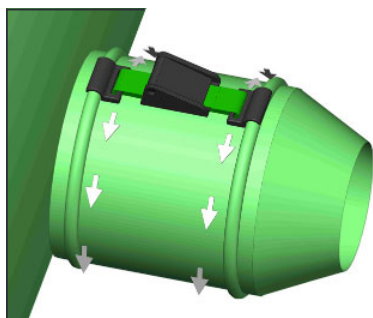
Directed nozzle



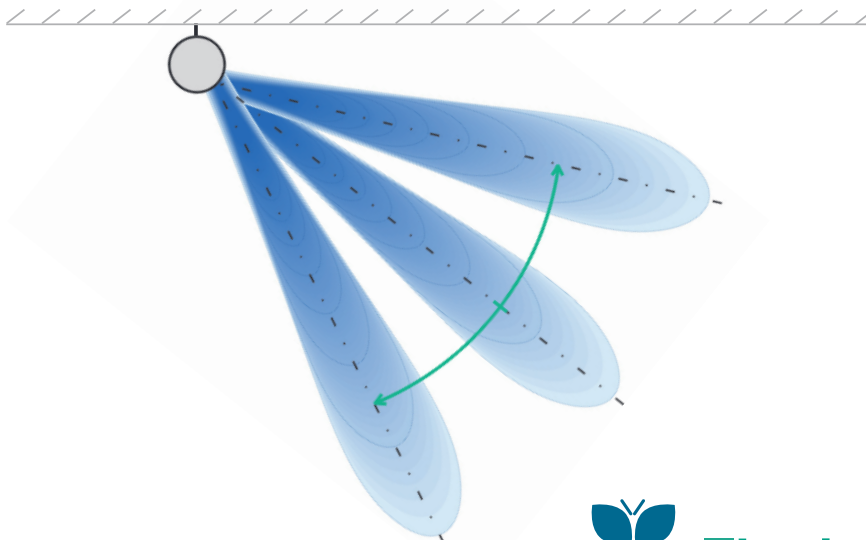
Adjustable nozzle



Adjustable nozzle – basic characteristics:



The nozzle can be directed (bent) by adjusting the length of the strap that connects its ends. The strap can be arbitrarily moved along the perimeter of the straight part of the nozzle. The range of the setup is limited by a spherical sector with an angle of 60°. The adjustable strap is covered by the fabric collar.





Adjustable Nozzles

Technical specification:

- Size \geq 80 mm
- Adjustability in range 30° in any direction
- Airflow adjustable by a damper (optional)

Key Benefits:

- Easy and exact setting of required airflow direction
- Possibility of airflow changes during operation
- Long distance airflow reaches
- Washable in a regular washing machine

